

4SDK3 4SDK4



4SDK4

MAIN VEHICLE SPECIFICATIONS

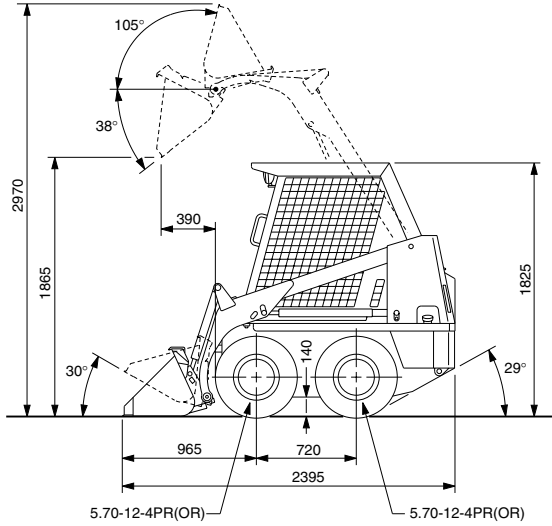
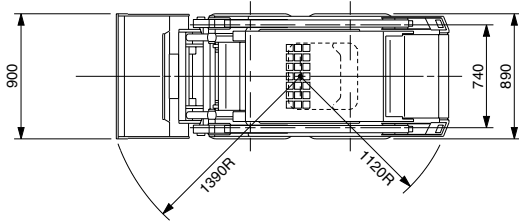
Model		4SDK3	4SDK4
PERFORMANCE			
Tipping Load (SAE)	kg	540	640
Operating Load (SAE)	kg	270	320
Bucket Capacity	cu-m	0.14	0.17
Dump Height (Dump Angle at 38°)	mm	1865	1835
Reach-Fully Raised (Dump Angle at 38°)	mm	390	430
Dump Angle (Max.)	deg	38	38
Raising Time	Full Load	sec	5.2
Lowering Time	No Load	sec	3.5
Dump Time	Full Load	sec	3.5
Travel Speed	Forward	km/h	9.0
	Reverse	km/h	9.0
Clearance Circle (with Bucket)	mm	1390	1420
Traction	Full Load	kN	9.8
Gradeability	Forward	% (tanθ)	31
	Reverse	% (tanθ)	58
ENGINE			
Model		YANMAR 3TN66	YANMAR 3TNE68
Piston Displacement	cc	658	784
Rated Horsepower/r.p.m.	kW	11/3000	13/3000
Rated Torque/r.p.m.	N-m	38/2350	49/2000
DIMENSIONS			
Overall Length (with Bucket)	mm	2395	2445
Overall Width (without Bucket)	mm	890	890
Bucket Width	mm	900	900
Overall Height (Operator Guard)	mm	1825	1825
Wheelbase	mm	720	720
Tread	Front	mm	740
	Rear	mm	740
Ground Clearance (center)	mm	180	180
Machine Weight (include a full fuel tank and bucket)	kg	1040	1120
CONTROLS			
Type		HST	HST
Steering		Forward, Reverse, Variable Travel Speed and Steering Controlled by Two Hand Lever	Forward, Reverse, Variable Travel Speed and Steering Controlled by Two Hand Lever
Drive		Two Hydrostatic Transmission with infinity variable speed	Two Hydrostatic Transmission with infinity variable speed
FUEL SYSTEM			
Fuel Tank Capacity	liter	25	25
BRAKE			
Hand Brake		Mechanical	Mechanical
BATTERY			
Voltage/Capacity	V/AH	12/45	12/45
TIRES			
Tire Size	Front	5.70-12-4PR (OR)	5.70-12-4PR (OR)
	Rear	5.70-12-4PR (OR)	5.70-12-4PR (OR)

NOTE: Operating load with standard bucket, according to SAE standard No. J818b.

DIMENSIONAL DRAWINGS

Unit: mm

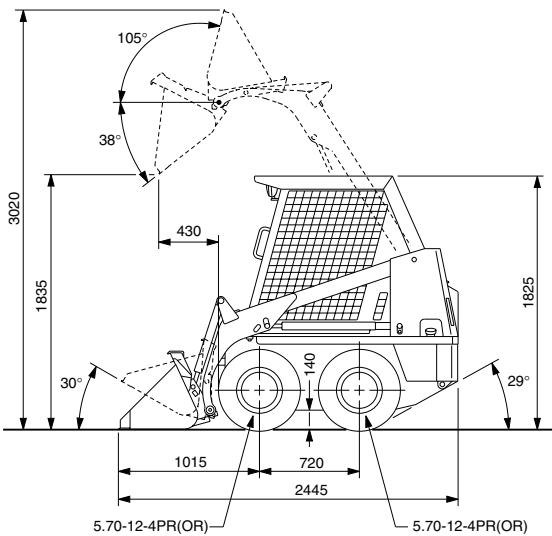
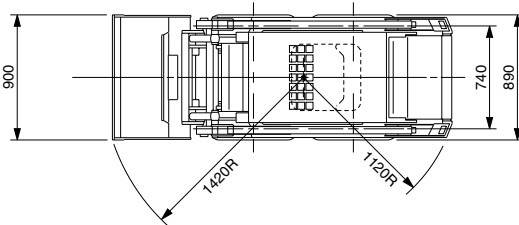
4SDK3



GROUND CLEARANCE

Center of Wheelbase ----- 140

4SDK4



GROUND CLEARANCE

Center of Wheelbase ----- 140

SPECIAL TREAD

Model	4SDK3	
Tire Size	23x8.50-12-4PR (OR)	22x8-12
Overall Width (Without bucket) mm	1080	955
Tread, Front/Rear mm	870	770

Model	4SDK4	
Tire Size	23x8.50-12-4PR (OR)	22x8-12
Overall Width (Without bucket) mm	1080	955
Tread, Front/Rear mm	870	770

4SDK3.4

INDEX: ○ Standard
● Available

STANDARD EQUIPMENT

4SDK3.4

● 2-way valve ● Lift/Dump series circuit ● Straight-edged type bucket -- 0.14 m³ (4SDK3), 0.17 m³ (4SDK4) ● Electromagnetic pedal lock system and seat bar ● 4th cyclone air cleaner ● Low-maintenance battery (4SDK4) ● Engine key stop device ● Headlights ● Overhead instrument panel ● Hour meter ● Fuel meter ● Engine water temperature indicator ● HST oil temperature warning light ● HST oil filter warning light ● Engine oil pressure warning light ● Charge warning light ● Clogged air cleaner warning indicator ● ROPS/FOPS (ISO) operator's guard

OPTIONS AVAILABILITY CHART

Model		4SDK 3	4SDK 4
Item			
LOAD HANDLING			
Bucket	☆	●	●
Without Bucket		●	●
Hydraulic Self-Leveling System			●
3-way Valve (A411)	★	●	
3-way Valve with Detent (A411)	★		●
ENGINE			
Spark Arrester Muffler		●	●
Radiator Screen		●	●
High Capacity Battery		●	●
Long Life Coolant 50%		●	●
LIGHTS AND INDICATORS			
Front and Rear Combination Lights	★	●	●
Rear Working Light		●	●
Reflector	★	●	●
Back-up Buzzer		●	●
BODY			
Rear-view Mirrors (Right and Left Sides)		●	●
Heater		●	●
Operator's Guard Sheet		●	●
Pedal Under-cover		●	●
Engine Hood with Key Hole		●	●
Fuel Tank Cap with Key Hole		●	●
Seat Panel with Key Hole		●	●
Lifting Hook		●	●
WHEELS AND TIRES			
Pneumatic Tire	Narrow Tire (with Tube)	☆	○ ○
	Narrow Tire (without Tube)	☆	● ●
	Wide Tire (with Tube)	☆	● ●
	Wide Tire (without Tube)	☆	● ●
Pneumatic-Shaped Cushion Tire	J-Lug Tire	☆★	● ●
Tire Chains		★	● ●
SPECIAL MODEL			
Cold Area Package	1)	●	●

NOTE:

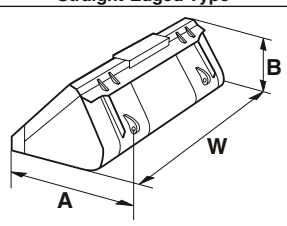
1) The high-capacity battery and long life coolant 50% are set options.

★ Please see the "Matching Options".

☆ Please see the chart below for the item.

BUCKET SERIES

Type of Bucket			Straight-Edged Type			Straight-Edged Toothed Type		
			A mm	B mm	Weight kg	A mm	B mm	Weight kg
4SDK3 4SDK4	0.14	900	610	480	55	695	480	60
	0.17	900	660	565	60	745	565	65
	0.17	1100	610	480	60	695	480	65
	0.21	1100	660	565	70	745	565	75
	0.26	1230	705	565	75	790	565	80
	0.3	1400	705	565	80	—	—	—

NOTE: 1.  shows the standard bucket for the respective model:
4SDK3, 0.14 m³; 4SDK4, 0.17 m³.
2. Dimension A is distance from lift arm hinge pin to front edge of bucket.
3. Dimension B is height of bucket.
4. Dimension W is outside width of bucket.

TIRE AVAILABILITY

Model	Tire Arrangement	Pneumatic Tire				Pneumatic-Shaped Cushion Tire		
		Tire Size	Rim Size (Type)	Narrow with Tube	Narrow without Tube	Wide with Tube	Wide without Tube	J-Lug
4SDK3 4SDK4	Front & Rear	5.70-12-4PR (OR)*	12x5JA DC	○	●			
		23x8.50-12-4PR (OR)*	12x7JA DC			●	●	●

NOTE: * Tire chain available.

MATCHING OPTIONS

(Column figures refer to matching with the items listed at left)

Item	1)	2)	3)	4)	5)	6)
3-way Valve (A411)	1)					
3-way Valve with Detent (A411)	2) X					
Front and Rear Combination Lights	3) ●	●				
Reflector	4) ●	●	X			
J-Lug Tire	5) ●	●	●	●		
Tire Chains	6) ●	●	●	●	X	

INDEX: X Not available.

4SDK5 4SDK6 4SDK8



4SDK8

MAIN VEHICLE SPECIFICATIONS

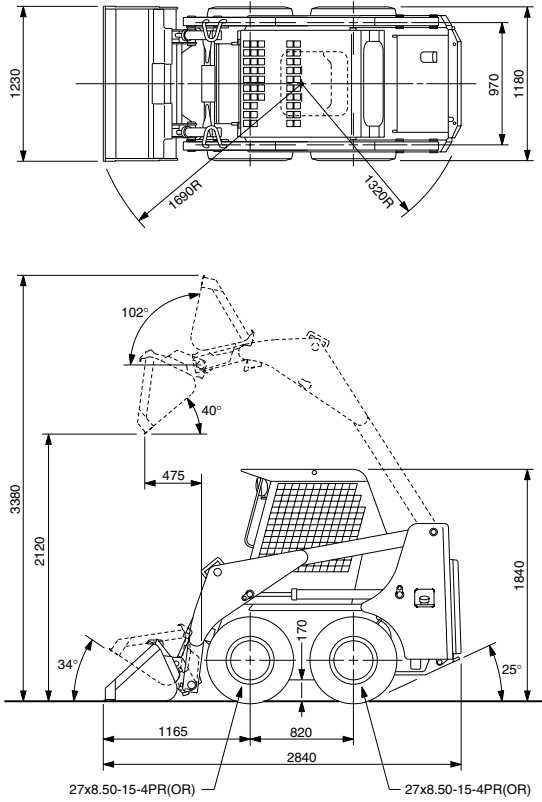
Model			4SDK5	4SDK6	4SDK8
PERFORMANCE					
Tipping Load (SAE)	kg		860	1000	1200
Operating Load (SAE)	kg		430	500	600
Bucket Capacity	cu-m		0.22	0.28	0.31
Dump Height/Dump Angle	mm/deg		2120/40	2220/45	2190/45
Reach-Fully Raised/Dump Angle	mm/deg		475/40	440/45	475/45
Dump Angle (Max.)	deg		40	45	45
Raising Time	Full Load	sec	4.0	4.0	4.0
Lowering Time	No Load	sec	2.7	2.5	2.5
Dump Time	Full Load	sec	2.4	2.4	2.4
Travel Speed	Forward	km/h	11.0	11.0	11.0
	Reverse	km/h	11.0	11.0	11.0
Clearance Circle (with Bucket)	mm		1690	1840	1890
Traction	Full Load	kN	15.5	19.5	23.5
Gradeability	Forward	% (tanθ)	27	30	30
	Reverse	% (tanθ)	58	58	58
ENGINE					
Model			YANMAR 3TNE84	YANMAR 3TNE84	TOYOTA 1DZ-II
Piston Displacement	cc		1496	1496	2486
Rated Horsepower/r.p.m.	kW		21/2450	21/2450	41/2400
Rated Torque/r.p.m.	N-m		92/1600	92/1600	166/1600
DIMENSIONS					
Overall Length (with Bucket)	mm		2840	3005	3060
Overall Width (without Bucket)	mm		1180	1520	1520
Bucket Width	mm		1230	1530	1530
Overall Height (Operator Guard)	mm		1840	1925	1925
Wheelbase	mm		820	920	920
Tread	Front	mm	970	1250	1250
	Rear	mm	970	1250	1250
Ground Clearance (center)	mm		225	300	300
Machine Weight (include a full fuel tank and bucket)	kg		1650	2240	2310
CONTROLS					
Type			HST	HST	HST
Steering			Forward, Reverse, Variable Travel Speed and Steering Controlled by Two Hand Lever	Forward, Reverse, Variable Travel Speed and Steering Controlled by Two Hand Lever	Forward, Reverse, Variable Travel Speed and Steering Controlled by Two Hand Lever
Drive			Two Hydrostatic Transmission with infinity variable speed	Two Hydrostatic Transmission with infinity variable speed	Two Hydrostatic Transmission with infinity variable speed
FUEL SYSTEM					
Fuel Tank Capacity	liter		35	52	52
BRAKE					
Hand Brake			Mechanical	Mechanical	Mechanical
BATTERY					
Voltage/Capacity	V/AH		12/60	12/60	12/60
TIRES					
Tire Size	Front		27x8.50-15-4PR (OR)	10-16.5-4PR (OR)	10-16.5-4PR (OR)
	Rear		27x8.50-15-4PR (OR)	10-16.5-4PR (OR)	10-16.5-4PR (OR)

NOTE: Operating load with standard bucket, according to SAE standard No. J818b.

DIMENSIONAL DRAWINGS

4SDK5

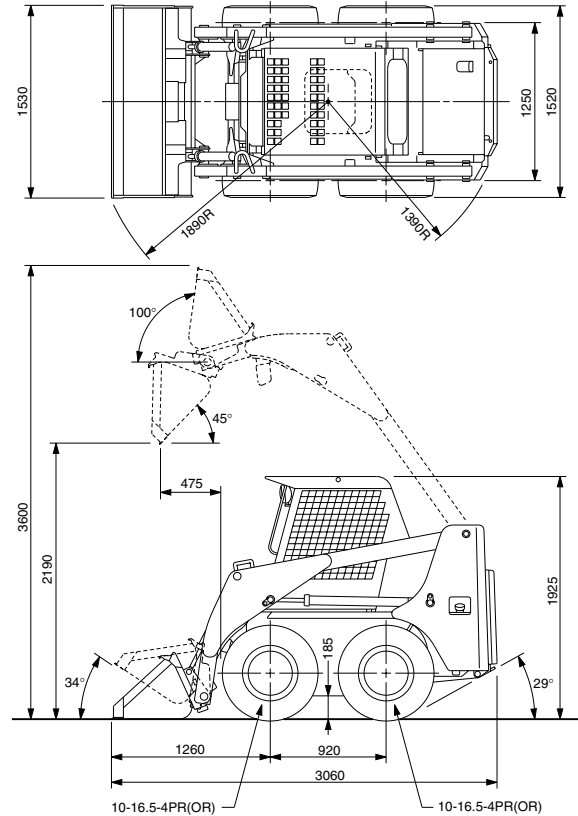
Unit: mm



GROUND CLEARANCE

Center of Wheelbase ----- 170

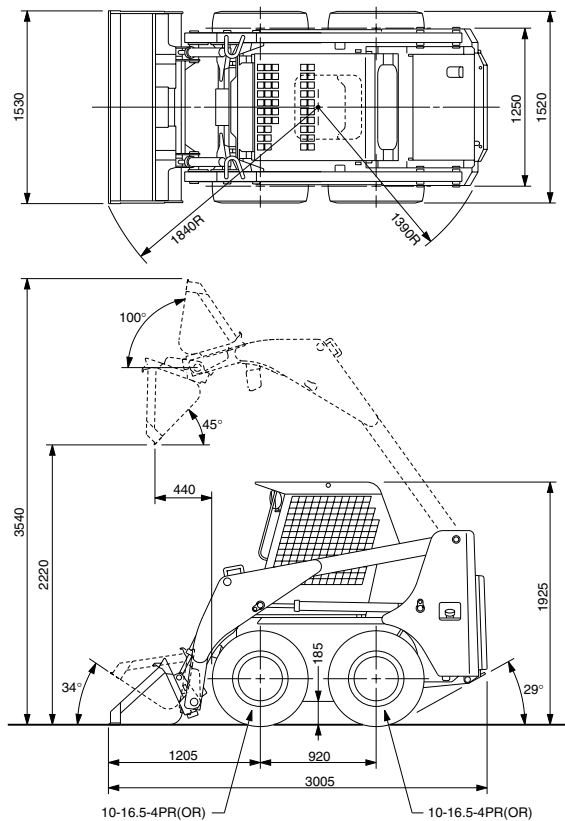
4SDK8



GROUND CLEARANCE

Center of Wheelbase ----- 185

4SDK6



GROUND CLEARANCE

Center of Wheelbase ----- 185

SPECIAL TREAD

Model	4SDK5	
Tire Size	5.50-15-6PR (OR)	5.50-15
Overall Width (Without bucket)	mm	1130
Tread, Front/Rear	mm	910

Model	4SDK6.8	
Tire Size	10-16.5-4PR (OR)	10-16.5-6PR (OR)
Overall Width (Without bucket)	mm	1520
Tread, Front/Rear	mm	1250

Model	4SDK6.8		
Tire Size	7.00-15-6PR (OR)	12-16.5-8PR (OR)	7.00-15
Overall Width (Without bucket)	mm	1330	1605
Tread, Front/Rear	mm	1130	1295

4SDK5.6.8

INDEX: ○ Standard
● Available

STANDARD EQUIPMENT

4SDK5.6.8

● 2-way valve (4SDK5) ● 3-way valve with detent [A411] (4SDK6.8) ● Lift/Dump/Attachment series circuit ● Straight-edged type bucket -- 0.22 m³ (4SDK5), 0.28 m³ (4SDK6), or 0.31 m³ (4SDK8) ● Electromagnetic pedal lock system and seat bar ● 5" dual element cyclone air cleaner (4SDK5) ● 6" dual element cyclone air cleaner (4SDK6.8) ● Maintenance-free battery ● Sedimenter (4SDK8) ● Engine key stop device ● Headlights ● Electric horn ● Rear working light (4SDK6.8) ● Overhead instrument panel ● Hour meter ● Fuel meter ● Engine water temperature indicator ● HST oil temperature warning light ● HST oil filter warning light ● Engine oil pressure warning light ● Charge warning light ● Clogged air cleaner warning light ● Sedimenter warning light (4SDK8) ● ROPS/FOPS (ISO) operator's guard

OPTION AVAILABILITY CHART

Item	Model	4SDK 5	4SDK 6	4SDK 8
LOAD HANDLING				
Bucket	☆	●	●	●
Without Bucket		●	●	●
Hydraulic Self-Leveling System		●	●	●
Hydraulic Self-Leveling System (ON-OFF Type)		●	●	●
Urethane Arm Stopper			●	●
Steering Shock Absorbers			●	●
Pedal Shock Absorbers		●	●	●
2-way Valve		○	●	●
3-way Valve with Detent (A411)		●	○	○
ENGINE				
Pre-cleaner			●	●
Spark Arrester Muffler		●	●	●
Radiator Screen		●	●	●
High Capacity Battery	★	●	●	●
Sedimenter		●	●	○
Long Life Coolant 50%	★	●	●	●
LIGHTS AND INDICATORS				
Front and Rear Combination Lights	★	●	●	●
Rear Working Light		●	○	○
License-plate Light and Bracket			●	●
Back-up Buzzer		●	●	●
BODY				
Rear-view Mirrors (Right and Left Sides)		●	●	●
Steel Cabin	1) ★	●	●	●
Canvas Cabin	2) ★	●	●	●
Front Windshield with Wiper	3) ★	●	●	●
Rear Window	★	●	●	●
Pedal Under-cover		●	●	●
Heater		●	●	●
Cooler	4)			●
Operator's Guard Sheet	★	●	●	●
Fuel Tank Cap with Key		●	●	●
Rear Grill with Key Hole		●	●	●
Lifting Hook		●	●	●
Extra Counter Weight	☆			●
WHEELS AND TIRES				
Pneumatic Tire	U-Lug Tire (with Tube)	☆	●	●
	U-Lug Tire (without Tube)	☆	●	●
	Narrow Tire (with Tube)	☆	●	●
	Wide Tire (with Tube)	☆★		●
	Flotation Pattern Tire (with Tube)	☆★		●
Pneumatic-Shaped Cushion Tire	J-Lug Tire ☆	●	●	●
Tire Chains	★	●	●	●
SPECIAL MODEL				
Cold Area Package	5) ★	●	●	●
Low-Noise Model	3) ★	●	●	●

NOTE:

- 1) The rear window, front windshield with wiper, and pedal under-cover are set options.
- 2) The front windshield with wiper, rear window and pedal under-cover are set options.
- 3) The rear window is set option.
- 4) Available only on model with steel cabin.
- 5) The high-capacity battery and Long Life Coolant 50% are set options.

★ Please see the "Matching Options".

☆ Please see the chart below for the item.

WITH EXTRA COUNTER WEIGHT Unit: kg

	4SDK8 (STD)	4SDK8 (OPT)
Tippling Load	1200	1300
Operating Load	600	650
Machine Weight (include a full fuel tank and bucket)	2310	2470

BUCKET SERIES

Type of Bucket	Straight-Edged Type					Straight-Edged Toothed Type		
Model	Capacity m³	W mm	A mm	B mm	Weight kg	A mm	B mm	Weight kg
4SDK5	0.22	1230	690	445	80	795	445	90
	0.32	1230	865	530	100	970	530	110
	0.36	1350	865	530	105	970	530	115
	0.42	1530	865	530	115	—	—	—
	0.28	1530	690	445	110	795	445	120
4SDK6 4SDK8	0.31	1530	745	475	115	850	475	125
	0.34	1530	780	490	120	885	490	130
	0.42	1530	865	530	150	970	530	160
	0.45	1630	865	530	170	970	530	180
	0.49	1530	945	555	160	—	—	—
	0.50	1860	865	530	180	—	—	—
	0.60	1860	945	555	200	—	—	—

NOTE: 1. shows the standard bucket for the respective model:
4SDK5, 0.22 m³; 4SDK6, 0.28 m³; 4SDK8, 0.31 m³.
2. Dimension A is distance from lift arm hinge pin to front edge of bucket.
3. Dimension B is height of bucket.
4. Dimension W is outside width of bucket.

TIRE AVAILABILITY

Model	Tire Arrangement	Pneumatic Tire					Pneumatic-Shaped Cushion Tire		
		Tire Size	Rim Size	U-Lug with Tube	U-Lug without Tube	Narrow with Tube	Tire Size	Rim Size	J-Lug
4SDK5	Front & Rear	27x8.50-15-4PR (OR)	15x7JA DC	○	●		5.50-15	15x4.50F SDC	●
		5.50-15-6PR (OR)	15x4.50E SDC			●			

Model	Tire Arrangement	Pneumatic Tire						
		Tire Size	Rim Size	U-Lug with Tube	U-Lug without Tube	Narrow with Tube	Wide without Tube	Flotation Pattern with Tube
4SDK6 4SDK8	Front & Rear	10-16.5-4PR (OR)	16.5x8.25 15DC	○	●			
		10-16.5-6PR (OR)	16.5x8.25 15DC		●			
		7.00-15-6PR (OR)	15x5.50F SDC			●		
		12-16.5-8PR (OR)*	16.5x9.75 DC				●	●

Model	Tire Arrangement	Pneumatic-Shaped Cushion Tire		
		Tire Size	Rim Size	J-Lug
4SDK6 4SDK8	Front & Rear	7.00-15	15x5.50F SDC	●

NOTE: * Tire chains not available.

MATCHING OPTIONS

(Column figures refer to matching with to the items listed at left)

Item	1)	2)	3)	4)	5)	6)	7)	8)	9)	10)	11)	12)	13)	14)	15)
Hydraulic Self-Leveling System	1)														
Hydraulic Self-Leveling System (ON-OFF Type)	2) X														
High Capacity Battery	3) ●	●													
Long Life Coolant	4) ●	●	●												
Steel Cabin	5) ●	●	●	●											
Canvas Cabin	6) ●	●	●	●	X										
Front Windshield with Wiper	7) ●	●	●	●	X	X									
Rear Window	8) ●	●	●	●	X	X	●								
Operator's Guard Sheet	9) ●	●	●	●	X	X	●	●							
Pedal Under-Cover	10) ●	●	●	●	X	X	●	●	●						
Wide Tire (with Tube)	11) ●	●	●	●	●	●	●	●	●	●					
Flotation Pattern Tire (with Tube)	12) ●	●	●	●	●	●	●	●	●	●	●				
Tire Chains	13) ●	●	●	●	●	●	●	●	●	●	X	X			
Cold Area Package	14) ●	●	X	X	●	●	●	●	●	●	●	●	●	●	●
Low-Noise Model	15) ●	●	●	●	●	●	●	X	●	●	●	●	●	●	●

INDEX: X Not available.

NOTE: For other combinations, please consult us.

4SDK10



4SDK10

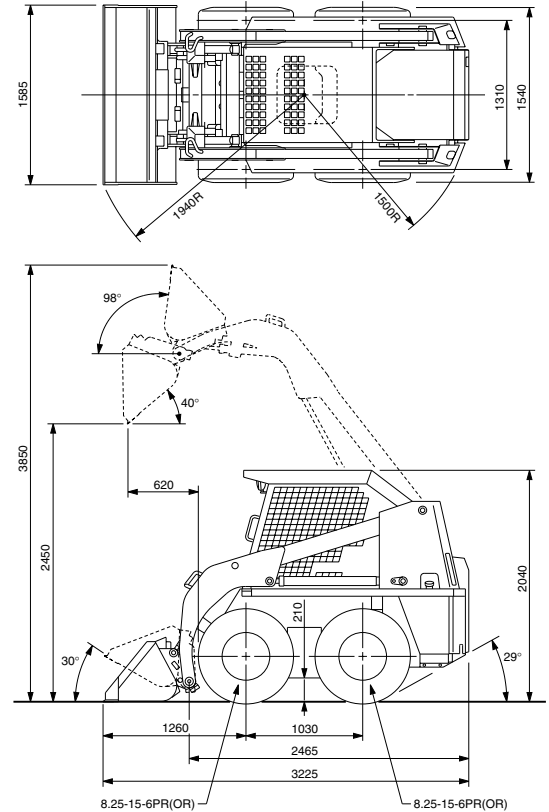
MAIN VEHICLE SPECIFICATIONS

Model		4SDK10	
PERFORMANCE			
Tipping Load (SAE)	kg	1640	
Operating Load (SAE)	kg	820	
Bucket Capacity	cu-m	0.35	
Dump Height (Dump Angle at 45°)	mm	2450	
Reach-Fully Raised (Dump Angle at 45°)	mm	620	
Dump Angle (Max.)	deg	40	
Raising Time	Full Load	sec	4.0
Lowering Time	No Load	sec	2.6
Dump Time	Full Load	sec	2.4
Travel Speed	Forward	km/h	10.0
	Reverse	km/h	10.0
Clearance Circle (with Bucket)	mm	1940	
Traction	Full Load	kN	29.5
Gradeability	Forward	% (tanθ)	30
	Reverse	% (tanθ)	58
ENGINE			
Model		TOYOTA 2Z	
Piston Displacement	cc	3469	
Rated Horsepower/r.p.m.	kW	49/2400	
Rated Torque/r.p.m.	N-m	216/1600	
DIMENSIONS			
Overall Length (with Bucket)	mm	3225	
Overall Width (without Bucket)	mm	1540	
Bucket Width	mm	1585	
Overall Height (Operator Guard)	mm	2040	
Wheelbase	mm	1030	
Tread	Front	mm	1310
	Rear	mm	1310
Ground Clearance (center)	mm	300	
Machine Weight (include a full fuel tank and bucket)	kg	3040	
CONTROLS			
Type		HST	
Steering		Forward, Reverse, Variable Travel Speed and Steering Controlled by Two Hand Lever	
Drive		Two Hydrostatic Transmission with infinity variable speed	
FUEL SYSTEM			
Fuel Tank Capacity	liter	85	
BRAKE			
Hand Brake		Mechanical	
BATTERY			
Voltage/Capacity	V/AH	12/80	
TIRES			
Tire Size	Front	8.25-15-6PR (OR)	
	Rear	8.25-15-6PR (OR)	

NOTE: Operating load with standard bucket, according to SAE standard No. J818b.

DIMENSIONAL DRAWINGS

Unit: mm



GROUND CLEARANCE

Center of Wheelbase 210

SPECIAL TREAD

Model	4SDK10	
Tire Size	12-16.5-8PR (OR)	8.25-15
Overall Width (Without bucket)	mm	1675
Tread, Front/Rear	mm	1365
		1310

4SDK10

INDEX: ○ Standard
● Available

STANDARD EQUIPMENT

4SDK10

● 3-way valve with detent (A411) ● Lift/Dump/Attachment series circuit
● Straight-edged type bucket -- 0.35m³ ● Electromagnetic pedal lock system and seat bar ● Cyclone air cleaner (7" dual elements) ● Intake heater ● Engine key stop device ● Sedimenter ● Headlights ● Hour meter ● Fuel meter ● Engine water temperature indicator ● Clogged air cleaner warning light ● Engine oil pressure warning light ● Charge warning light

● Sedimenter warning light ● HST oil temperature warning light and buzzer
● HST oil pressure warning light and buzzer ● Pre-heat indicator light
● Rear working light pilot light ● Parking brake pilot light ● Electric horn
● ROPS/FOPS (ISO) operator's guard ● Lift arm lock pins (right and left)
● Hydrostatic transmission with servo mechanism

OPTIONS AVAILABILITY CHART

Item	Model	4SDK10
LOAD HANDLING		
Bucket	☆	●
Without Bucket		●
Hydraulic Self-Leveling System		●
2-way Valve		●
ENGINE		
Pre-cleaner		●
Upswept Exhaust	★	●
Spark Arrester Muffler	★	●
Radiator Screen		●
High Capacity Battery		●
Long Life Coolant 50%		●
LIGHTS AND INDICATORS		
Front and Rear Combination Lights		●
Rear Working Light		●
Licence-plate Light and Bracket		●
Back-up Buzzer		●


NOTE:

- 1) Set option with the pedal under-cover.
 - 2) The high-capacity battery and long life coolant 50% are set options.
- ★ Please see the "Matching Options".
☆ Please see the chart below for the item.

Item	Model	4SDK10
BODY		
Rear-view Mirrors (Right and Left Sides)		●
Steel Cabin	1) ★	●
Canvas Cabin with Wiper	1) ★	●
Rear Window	★	●
Pedal Under-cover		●
Heater		●
Operator's Guard Sheet	★	●
Fuel Tank Cap with Key Hole		●
Engine Hood with Key Hole		●
Seat Panel with Key Hole		●
Lifting Hook		●
WHEELS AND TIRES		
Pneumatic Tire	Narrow Tire (with Tube)	☆ ○
	Narrow Tire (without Tube)	☆ ●
	Wide Tire (with Tube)	☆ ●
	Wide Tire (without Tube)	☆ ●
Pneumatic-Shaped Cushion Tire	J-Lug Tire	☆ ●
		●
SPECIAL MODEL		
Cold Area Package	2) ★	●

BUCKET SERIES

Type of Bucket	Straight-Edged Type					Straight-Edged Toothed Type			
	Model	Capacity m ³	W mm	A mm	B mm	Weight kg	A mm	B mm	Weight kg
4SDK10		0.35	1585	760	535	155	—	—	—
		0.4	1585	840	535	160	970	535	180
		0.42	1685	840	535	165	970	535	185
		0.5	1585	930	605	175	1060	605	195
		0.54	1685	930	605	185	1060	605	205
		0.7	1685	1070	665	215	—	—	—

- NOTE: 1.  shows the standard bucket.
2. Dimension A is distance from lift arm hinge pin to front edge of bucket.
3. Dimension B is height of bucket.
4. Dimension W is outside width of bucket.

TIRE AVAILABILITY

Model	Tire Arrangement	Pneumatic Tire						Pneumatic-Shaped Cushion Tire		
		Tire Size	Rim Size (Type)	Narrow with Tube	Narrow without Tube	Wide with Tube	Wide without Tube	Tire Size	Rim Size (Type)	J-Lug
4SDK10	Front & Rear	8.25-15-6PR (OR)*	15x6LB DC	○	●			8.25-15	15x6.50T IR	●
		12-16.5-8PR (OR)*	16.5x9.75 DC			●	●			

NOTE: * Tire chain available.

MATCHING OPTIONS

(Column figures refer to matching with to the items listed at left)

Item	1)	2)	3)	4)	5)	6)
Upswept Exhaust	1)					
Spark Arrester Muffler	2) X					
Operator's Guard Sheet	3) ● ●					
Canvas Cabin with Wiper	4) ● ● X					
Steel Cabin	5) ● ● X X					
Rear Window	6) ● ● ● ● X					

INDEX: X Not available.

NOTE: For other matching please consult us.