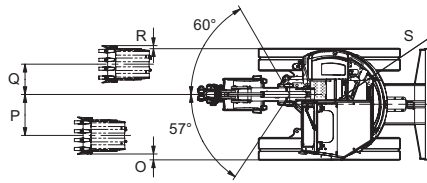
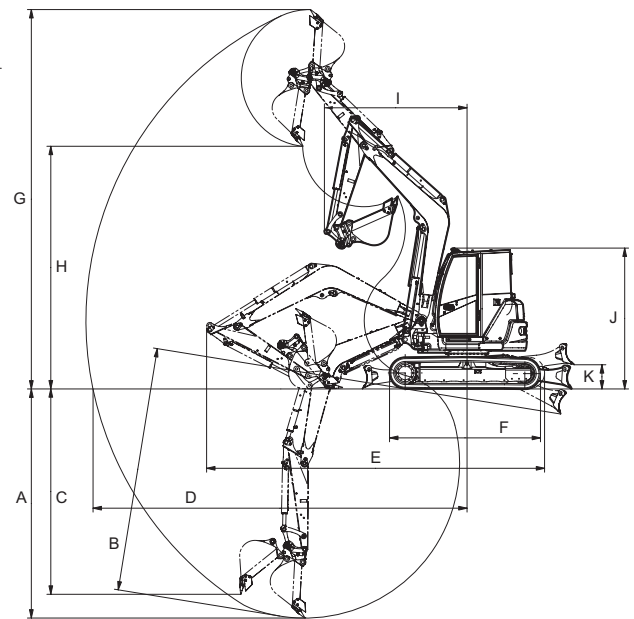
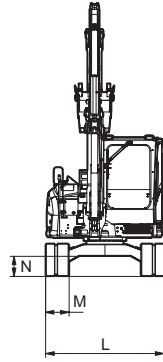


ViO80-1A



Dimensions - ViO80-1A

A 14'5" (4,400)	K 1'6" (460)
B 15'4" (4,680)	L 7'5" (2,270)
C 12'11" (3,940)	M 1'6" (450)
D 23'5" (7,140)	N 1'3" (390)
E 21'2" (6,460)	O 5" (120)
F 9'6" (2,890)	P 2'9" (840)
G 23'9" (7,230)	Q 2'0" (620)
H 15'2" (4,620)	R 2" (60)
I 8'11" (2,720)	S 3'9" (1,135)
J 8'10" (2,680)	



Specifications

Model		ViO80-1A	
Type		Cab. Rubber Track	Cab. Steel Track
Operating Weight		lbs (t)	18,136 (8.23) / 18,268 (8.29)
Engine	Type	Water-cooled 4-cylinder diesel	
	Model	YANMAR 4TNV98C-WBV	
	Rated Output	HP (kW)/rpm	56.9 (42.4) / 2,000
	Maximum Output at High Idle Speed	HP (kW)/rpm	55.7 (41.5) / 1,900
Performance	Max Digging Force, Bucket / Arm	lbs (kN)	14,275 (63.5)* / 9,172 (40.8)*
	Traveling Speed, High / Low	MPH (km / h)	2.8 (4.5) / 1.6 (2.5) / 2.6 (4.1) / 1.4 (2.3)
	Swing Speed	RPM	9.0
	Boom Swing Angle, (L / R)	degrees	57° / 60°
	Gradability	degrees	30°
Ground Contact Pressure (Rubber Track)		PSI (kPa)	5.2 (35.8) / 5.25 (36.2)
Hydraulic System	Pump Capacity	GPM (L / min)	18.6 (70.3) x 2 + 14.1 (53.2) + 5.0 (19.0)
	Main Relief Set Pressure	PSI (MPa)	3,698 (25.5) x 2 + 3,481 (24.0) + 421 (2.9)
Blade Dimensions	Width	ft-in (mm)	7'5" (2,260)
	Stroke, Raise / Lower from G.L.	ft-in (mm)	1'6" (460) / 1'7" (480) / 1'5" (440) / 1'8" (500)
Fuel tank capacity		Gals (L)	30.4 (115)

*without quick coupler

Standard Equipment

- Hydraulic Quick Coupler*
- Blade
- Boom Swing Function
- Rubber Tracks
- Arm End Auxiliary Valve
- Antenna and Pre-wired for Radio
- Back Mirror/Side Mirror
- 2-way Pattern Control
- ROPS / FOPS Cabin
- Windshield Washer
- Air Conditioner
- Defroster
- Joystick Pilot Controls
- Arm Rests (Adjustable)
- Suspension and Reclining Seat
- Seat Belt
- PTO Switch
- Travel Automatic Dual Speed Switch
- Auto Deceleration Switch
- Eco Mode Switch
- Engine Stop Switch
- Traveling Alarm
- Floor Mats
- PTO2 Circuit

*Also available without Quick Coupler.

Please note that the standard equipment may vary from this list. Consult your YANMAR dealer for confirmation.

Hydraulic PTO

Model		ViO80-1A		
Specification	Output	PSI (kPa)	GPM (L / min)	
			PTO1	PTO2
Combined Flow, Double Actions		3,481 (24,000)	31.7 (120.0)	18.6 (70.3)

Lifting Capacity

LIFT POINT HEIGHT in (mm)	(R) LIFT RADIUS in (mm)											
	RATED LIFT CAPACITY OVER END BLADE DOWN lbs (kg)				RATED LIFT CAPACITY OVER END BLADE UP lbs (kg)				RATED LIFT CAPACITY OVER SIDE BLADE UP lbs (kg)			
	MAX	196.9 (5,000)	157.1 (4,000)	118.1 (3,000)	MAX	196.9 (5,000)	157.1 (4,000)	118.1 (3,000)	MAX	196.9 (5,000)	157.1 (4,000)	118.1 (3,000)
196.9 (5,000)	3,638 (1,650)		3,572 (1,620)		3,550 (1,610)		3,461 (1,570)		2,734 (1,240)		3,550 (1,610)	
157.5 (4,000)	3,417 (1,550)	3,417 (1,550)	3,572 (1,620)		2,403 (1,090)	2,734 (1,240)	3,417 (1,550)		2,271 (1,030)	2,491 (1,130)	3,528 (1,600)	
118.1 (3,000)	3,483 (1,580)	3,616 (1,640)	4,233 (1,920)	5,468 (2,480)	2,028 (920)	2,668 (1,210)	4,123 (1,870)	5,336 (2,420)	1,896 (860)	2,447 (1,110)	4,145 (1,880)	5,534 (2,510)
78.7 (2,000)	3,351 (1,520)	3,946 (1,790)	5,027 (2,280)	6,879 (3,120)	1,830 (830)	2,513 (1,140)	3,594 (1,630)	6,174 (2,800)	1,697 (770)	2,315 (1,050)	3,395 (1,540)	4,806 (2,180)
39.4 (1,000)	3,395 (1,540)	4,255 (1,930)	5,710 (2,590)	7,651 (3,470)	1,764 (800)	2,381 (1,080)	3,439 (1,560)	4,564 (2,070)	1,675 (760)	2,249 (1,020)	3,175 (1,440)	4,255 (1,930)
Ground (0)	3,373 (1,530)	4,321 (1,960)	5,865 (2,660)	8,070 (3,660)	1,830 (830)	2,337 (1,060)	3,307 (1,500)	4,873 (2,210)	1,719 (780)	2,160 (980)	3,153 (1,430)	4,542 (2,060)
-39.4 (-1,000)	3,329 (1,510)	4,057 (1,840)	5,468 (2,480)	7,585 (3,440)	2,028 (920)	2,315 (1,050)	3,285 (1,490)	5,137 (2,330)	1,918 (870)	2,160 (980)	3,087 (1,400)	4,674 (2,120)
-78.7 (-2,000)	2,976 (1,350)		4,498 (2,040)	6,218 (2,820)	2,491 (1,130)		3,373 (1,530)	5,292 (2,400)	2,425 (1,100)		3,197 (1,450)	4,961 (2,250)